

Punch Kit Type 1045
(B377)

Punch Kit Type 1045 (B377)

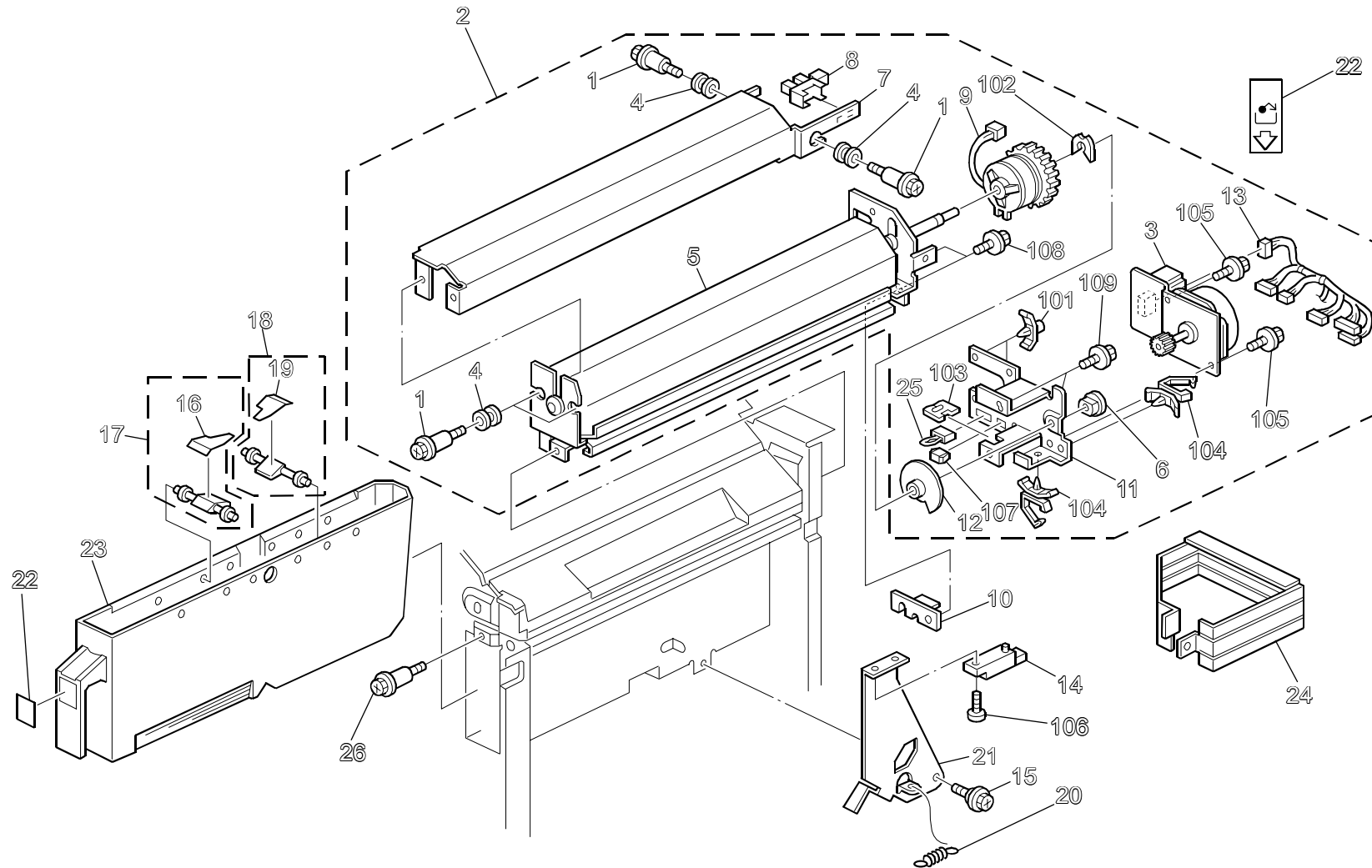
PARTS CATALOG

This catalog gives the numbers and names of parts on this machine.

1.Punch Kit Type1045 (B377)	2
Parts Index	5

September ,15 ' 2003

1.Punch Kit Type1045 (B377)



1.Punch Kit Type1045 (B377)

Index No.	Part No.	Description	Q'ty Per Assembly
1	B352 7506	Screw	4
2	B377 6011	Punch Unit Assembly - 2/3 Holes (17/57)	1
2	B377 6012	Punch Unit Assembly - 2/4 Holes (27/67)	1
2	B377 6013	Punch Unit Assembly - 4 Holes (3168)	1
3	AX06 0258	Brushless Motor:Drive	1
4	B352 7505	Bushing	4
5	B377 7117	Punch Unit - 2-3 Hole (17/57)	1
5	B377 7127	Punch Unit - 2-4 Hole (27/67)	1
5	B377 7131	Punch Unit - 4 Hole (31/68)	1
6	AA08 0071	Bushing -6x10x6	1
7	B352 7504	Upper Cover	1
8	AW02 0114	Photo Interruptor - Lower Limit	1
9	AX21 0077	Magnetic Spring Clutch 42Z	1
10	A812 7411	Spacer - 2mm	1
10	A812 7412	Spacer - 1mm	2
11	B352 7503	Punch Motor Bracket	1
12	B352 7502	Encoder	1
13	B377 5350	Harness - Punch Unit Change (17/27/57/67)	1
13	B545 5260	Harness:Punch Unit (31/68)	1
14	AW01 0070	Photosensor - PS-R11D1-B	1
15	A697 1125	Stepped Screw - Lever	1
16	B352 7802	Front Film - Toner Hopper	1
17	B352 7801	Pin:Protect:Front:Ass'y	1
18	B352 7803	Pin:Protect:Rear:Ass'y	1
19	B352 7804	Rear Film - Toner Hopper	1
20	A812 7331	Lock Spring	1
21	A812 7323	Dust Hopper Stopper	1
22	A606 1885	Decal - Hopper	1
23	B545 7211	Punch Hopper	1
24	B377 6111	Motor Guard Bracket	1
25	B377 5361	Harness - Punch Unit 2-3 NA (17/57)	1
25	B377 5362	Harness - Punch Unit 2-4 EU (27/67)	1
25	B377 5363	Harness - Punch Unit 4 NE (31/68)	1
26	B352 7507	Screw - Punch	1

Index No.	Part No.	Description	Q'ty Per Assembly
101	1106 0554	Locking Support	
102	0805 0088	Retaining Ring - M6	
103	1105 0328	Harness Clamp - ES-0505	
104	1105 0511	Harness Clamp - LWS-0306ZC	
105	0451 3008B	Tapping Screw - M3x8	
106	0313 0100B	Philips Pan Head Screw - M3x10	
107	1102 4473	CT Connector - 2p	
108	0451 3010B	Tapping Screw - M3x10	
109	0451 3006B	Tapping Screw - M3x6	

Parts Index

Parts Index

Part No.	Description	Page and Index No.
B377 5350	Harness - Punch Unit Change (17/27/57/67)	3 - 13
B377 5361	Harness - Punch Unit 2-3 NA (17/57)	3 - 25
B377 5362	Harness - Punch Unit 2-4 EU (27/67)	3 - 25
B377 5363	Harness - Punch Unit 4 NE (31/68)	3 - 25
B377 6011	Punch Unit Assembly - 2/3 Holes (17/57)	3 - 2
B377 6012	Punch Unit Assembly - 2/4 Holes (27/67)	3 - 2
B377 6013	Punch Unit Assembly - 4 Holes (31/68)	3 - 2
B377 6111	Motor Guard Bracket	3 - 24
B377 7117	Punch Unit - 2-3 Hole (17/57)	3 - 5
B377 7127	Punch Unit - 2-4 Hole (27/67)	3 - 5
B377 7131	Punch Unit - 4 Hole (31/68)	3 - 5

Part No.	Description	Page and Index No.
A606 1885	Decal - Hopper	3 - 22
A697 1125	Stepped Screw - Lever	3 - 15
A812 7323	Dust Hopper Stopper	3 - 21
A812 7331	Lock Spring	3 - 20
A812 7411	Spacer - 2mm	3 - 10
A812 7412	Spacer - 1mm	3 - 10
B352 7502	Encoder	3 - 12
B352 7503	Punch Motor Bracket	3 - 11
B352 7504	Upper Cover	3 - 7
B352 7505	Bushing	3 - 4
B352 7506	Screw	3 - 1
B352 7507	Screw - Punch	3 - 26
B352 7801	Pin:Protect:Front:Ass'y	3 - 17
B352 7802	Front Film - Toner Hopper	3 - 16
B352 7803	Pin:Protect:Rear:Ass'y	3 - 18
B352 7804	Rear Film - Toner Hopper	3 - 19
B545 5260	Harness:Punch Unit (31/68)	3 - 13
B545 7211	Punch Hopper	3 - 23

Part No.	Description	Page and Index No.
AA08 0071	Bushing -6x10x6	3 - 6
AW01 0070	Photosensor - PS-R11D1-B	3 - 14
AW02 0114	Photo Interruptor - Lower Limit	3 - 8
AX06 0258	Brushless Motor:Drive	3 - 3
AX21 0077	Magnetic Spring Clutch 42Z	3 - 9

Part No.	Description	Page and Index No.
0313 0100B	Philips Pan Head Screw - M3x10	3 - 106
0451 3006B	Tapping Screw - M3x6	3 - 109
0451 3008B	Tapping Screw - M3x8	3 - 105
0451 3010B	Tapping Screw - M3x10	3 - 108
0805 0088	Retaining Ring - M6	3 - 102
1102 4473	CT Connector - 2p	3 - 107
1105 0328	Harness Clamp - ES-0505	3 - 103
1105 0511	Harness Clamp - LWS-0306ZC	3 - 104
1106 0554	Locking Support	3 - 101